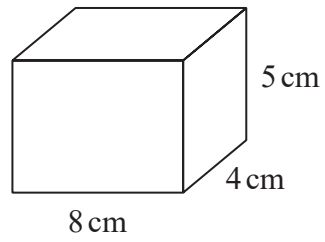


Volume of Cubes and Cuboids

11 Here is a cuboid.



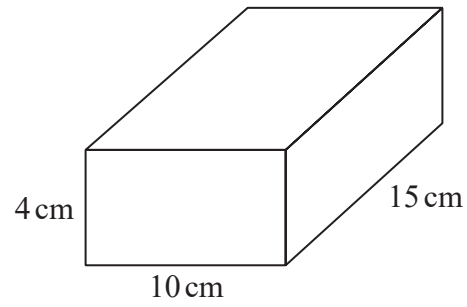
Work out the volume of the cuboid.

..... cm³

(Total for Question 11 is 2 marks)

June 2020 Paper 2

11 Here is a cuboid.

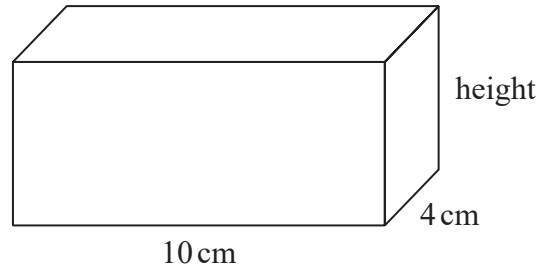


Work out the volume of the cuboid.

.....
(Total for Question 11 is 3 marks)

November 2024 Paper 1

14 Here is a cuboid of length 10 cm and width 4 cm.



The cuboid has a volume of 200 cm^3

(a) Work out the height of the cuboid.

..... cm

(2)

June 2023 Paper 1

22 A cube has a total surface area of 150 cm^2

Work out the volume of the cube.

..... cm^3

(Total for Question 22 is 4 marks)