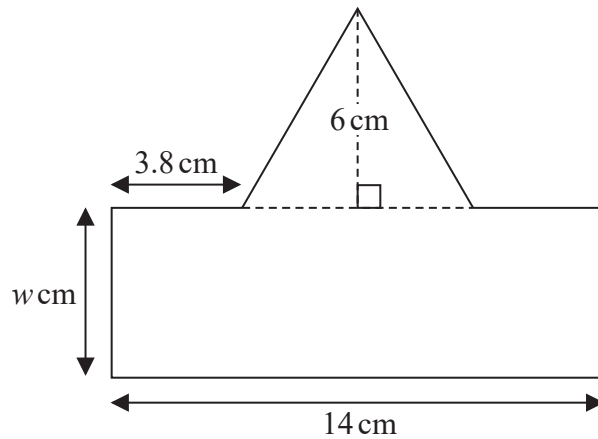


Area of Compound Shapes

November 2023 Paper 3

18 Here is a shape made from a rectangle and a triangle.



The shape has exactly one line of symmetry.

The area of the rectangle is 3.5 times the area of the triangle.

The width of the rectangle is w cm.

Work out the value of w .

You must show all your working.

$w = \dots\dots\dots$

(Total for Question 18 is 5 marks)

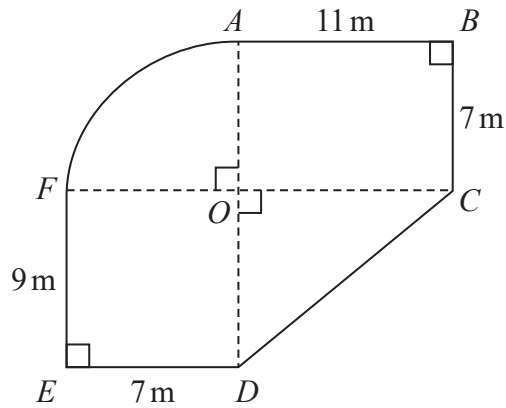
November 2022 Paper 2

21 The diagram shows a plan of Jason's garden.

$ABCO$ and $DEFO$ are rectangles.

CDO is a right-angled triangle.

AFO is a sector of a circle with centre O and angle $AOF = 90^\circ$



Jason is going to cover his garden with grass seed.

Each bag of grass seed covers 14 m^2 of garden.

Each bag of grass seed costs £10.95

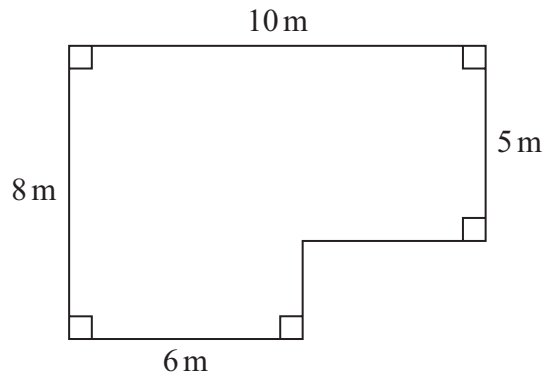
Work out how much it will cost Jason to buy all the bags of grass seed he needs.

£.....

(Total for Question 21 is 5 marks)

June 2024 Paper 1

22 The diagram shows a plan of a floor.



Petra is going to cover the floor with paint.

Petra has 3 tins of paint.

There are 2.5 litres of paint in each tin.

Petra thinks 1 litre of paint will cover 10 m^2 of floor.

- (a) Assuming Petra is correct, does she have enough paint to cover the floor?
You must show all your working.

Actually, 1 litre of paint will cover 11 m^2 of floor.

- (b) Does this affect your answer to part (a)?
You must give a reason for your answer.

.....

.....

.....

(1)

(Total for Question 22 is 5 marks)
